

Receiver

From

Company
Reference
Address
Phone
Fax
E-mail

Item no. 60209596
Customer pos. no.:

Model:
DIVERTRON X 900 M + KIT

Pump data

Pressure rating :
Min. fluid temperature : 0 °C
Max. fluid temperature : 40 °C
Max. Temperature operating :

Requested data

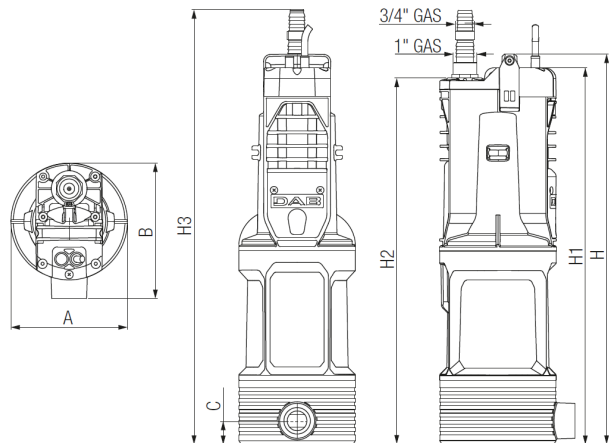
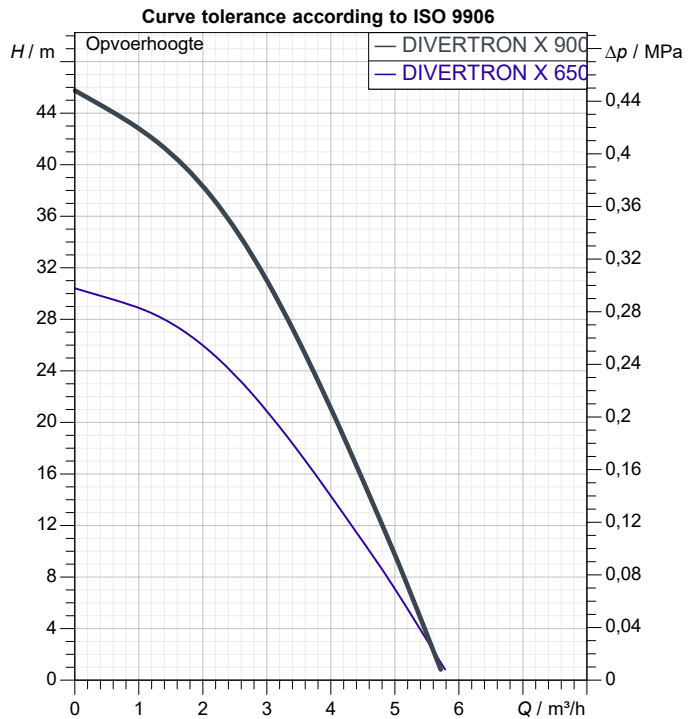
Flow :
Head :
Fluid : Water
Fluid Temperature : 20 °C
Density: 998,3 kg/m³
Kinematische viscositeit: 1,005 mm²/s
Dampspanning: 0,00234 MPa

Hydraulic data (duty point)

Flow :
Head :

Materials

Pomphuis Technopolymer
Impeller Technopolymer/AISI 304
Diffuser Technopolymer
O-Ring EPDM
Base Technopolymer
Motor shaft Stainless Steel AISI 416
Motor top body Stainless Steel AISI 304



Motor data

Merk : DAB
Nominal power P2: 0,56 kW
Rated voltage : 1~ 220-240 V 50 Hz
Nominal current : 4,2 A
Number of poles : 2
Rated speed: 2.800 1/min
Degree of protection : IP 68

Gewicht: 11 kg

Dimension mm

A	160				
B	186				
C	33				
H	536				
H1	517				
H2	503				
H3	596				

Pump connection

Suction side /
Discharge side 1" G / --



PERFORMANCE CURVES

2023-08-24

Pagina 2 / 3

DAB PUMPS S.p.A.
Via Marco Polo, 14 - 35035 Mestrino (PD), Italy
Tel. +39 049 5125000 - Fax +39 049 5125950
www.dabpumps.com

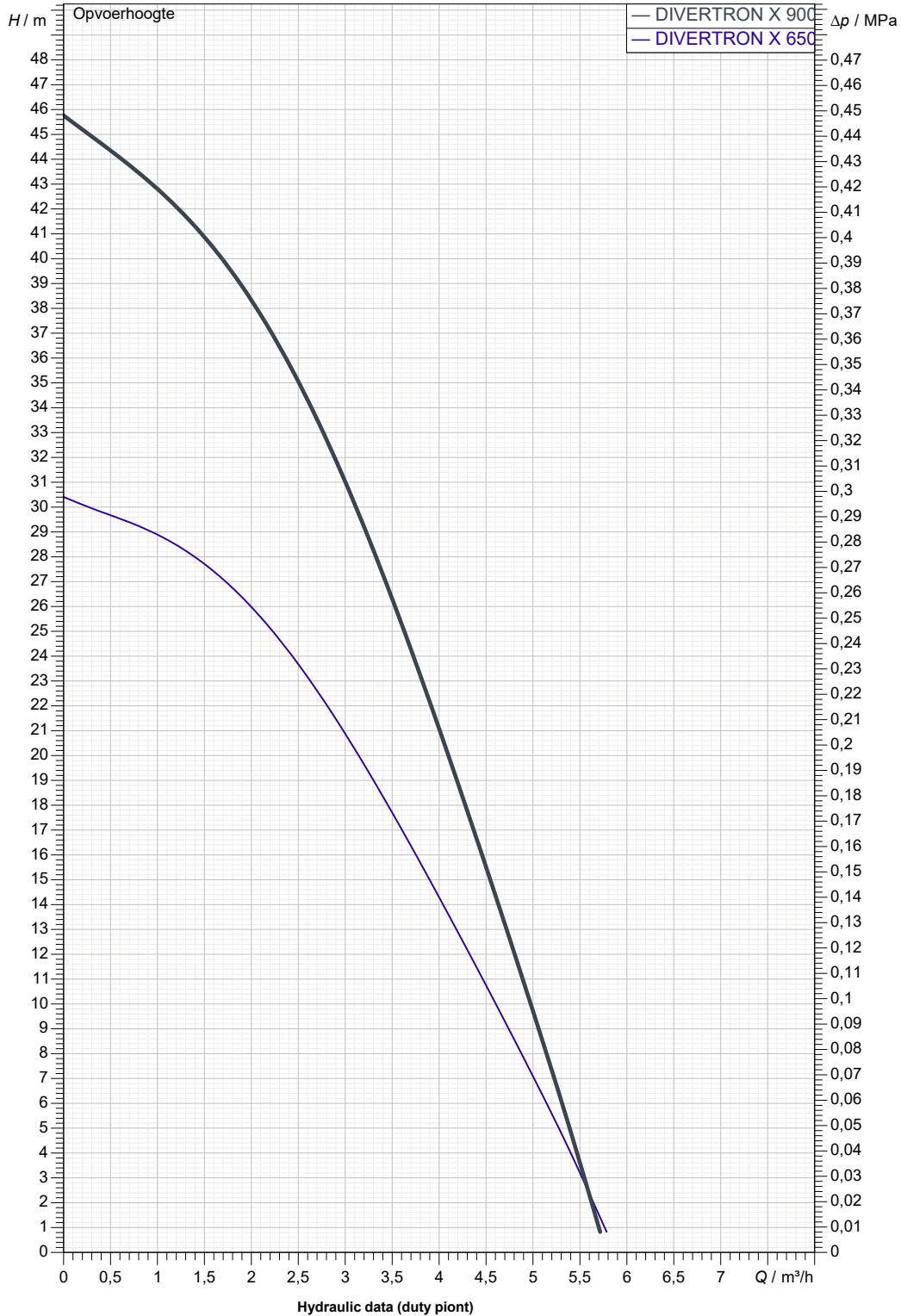
Receiver

From

Company
Reference
Address
Phone
Fax
E-mail

DIVERTRON X 900 M + KIT

Curve tolerance according to ISO 9906



Suction side	Discharge side 1" G --	Flow :	Head :	Rated speed: 2.800 1/min
MAIN_PROJECT_TITLE	BUSINESS_PROCESS_ID	OWNER_	ISSUE_DATE 2023-08-24	



DIMENSIONAL DRAWING

2023-08-24

Pagina 3 / 3

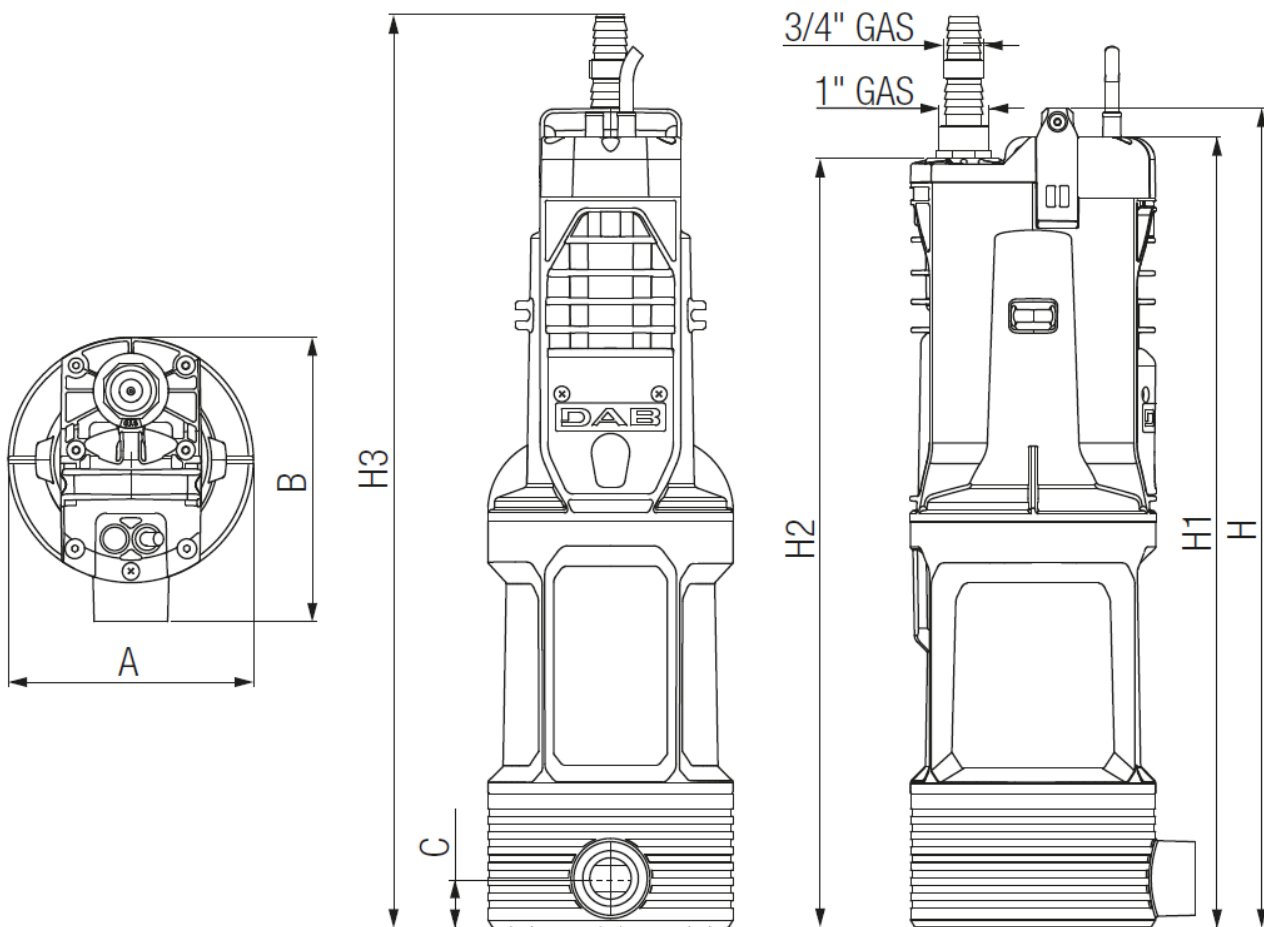
DAB PUMPS S.p.A.
Via Marco Polo, 14 - 35035 Mestrino (PD), Italy
Tel. +39 049 5125000 - Fax +39 049 5125950
www.dabpumps.com

Receiver

From

Company
Reference
Address
Phone
Fax
E-mail

DIVERTRON X 900 M + KIT



Dimensions in mm			Pump connection			
1	A	160				Suction
2	B	186				
3	C	33				
4	H	536				Discharge
5	H1	517				
6	H2	503				
7	H3	596				
8						1" G
9						-
10						
11						

MAIN_PROJECT_TITLE	BUSINESS_PROCESS_ID	OWNER	ISSUE_DATE 2023-08-24
--------------------	---------------------	-------	--------------------------