

Receiver

From

Company  
Reference  
Address  
Phone  
Fax  
E-mail

**Item no.**

60196494

**Customer pos. no.:**

**Model:**

ESYBOX DIVER X 55/120 + KIT

**Pump data**

Free passage : 2 mm  
Aspiration level minimum : 110 mm  
Min. fluid temperature : 0 °C  
Max. fluid temperature : 50 °C  
Max. Temperature operating : 50 °C

**Requested data**

Flow :  
Head :  
Fluid : Water  
Fluid Temperature : 20 °C  
Density : 998,3 kg/m³  
Kinematische viscositeit: 1,005 mm²/s  
Dampspanning: 0,00234 MPa

**Hydraulic data (duty point)**

Flow :  
Head :

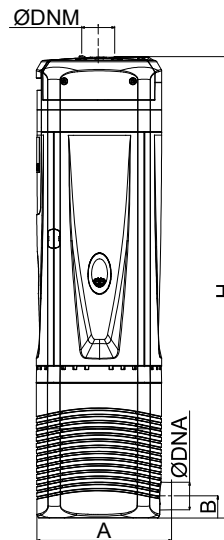
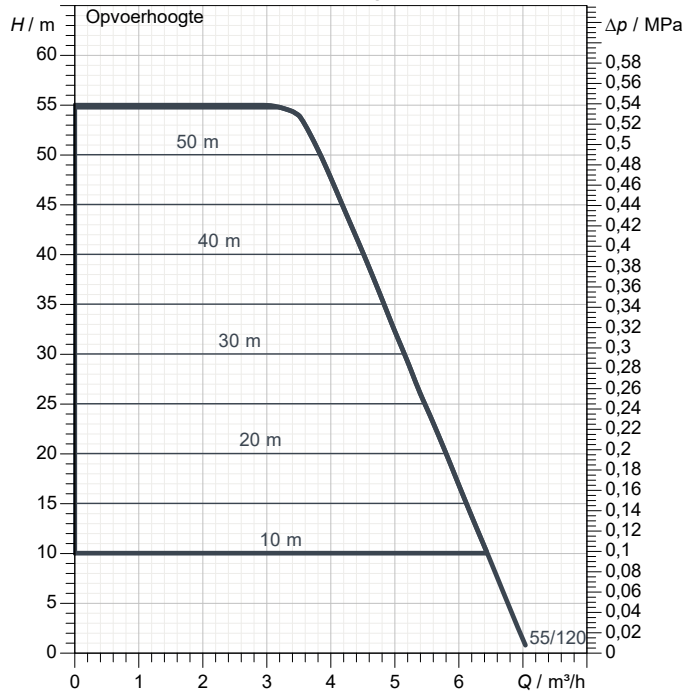
**Materials**

Handle : Stainless Steel AISI 304  
Pump body : Technopolymer  
Impeller : Technopolymer/AISI 304  
O-Ring : NBR  
Motor shaft : Stainless Steel AISI 303  
Motor liner : Stainless Steel AISI 304  
Filter : Technopolymer

**Motor data**

Merk : DAB  
Nominal power P2: 0,95 kW  
Rated voltage : 1~ 220-240 V 50 Hz  
Nominal current : 5,5 A  
Degree of protection : IP 68  
Cable length m : 15 m

**Curve tolerance according to ISO 9906**



**Gewicht:** 18,2 kg

**Dimension mm**

Dimension	mm				
A	195				
B	32				
DNA	1" G				
DNM	1" 1/4 G				
H	676				

**Pump connection**

Suction side : 1" G-F / --  
Discharge side : 1" 1/4 G-F / --



# PERFORMANCE CURVES

2023-08-24

Pagina 2 / 3

DAB PUMPS S.p.A.  
Via Marco Polo, 14 - 35035 Mestrino (PD), Italy  
Tel. +39 049 5125000 - Fax +39 049 5125950  
www.dabpumps.com

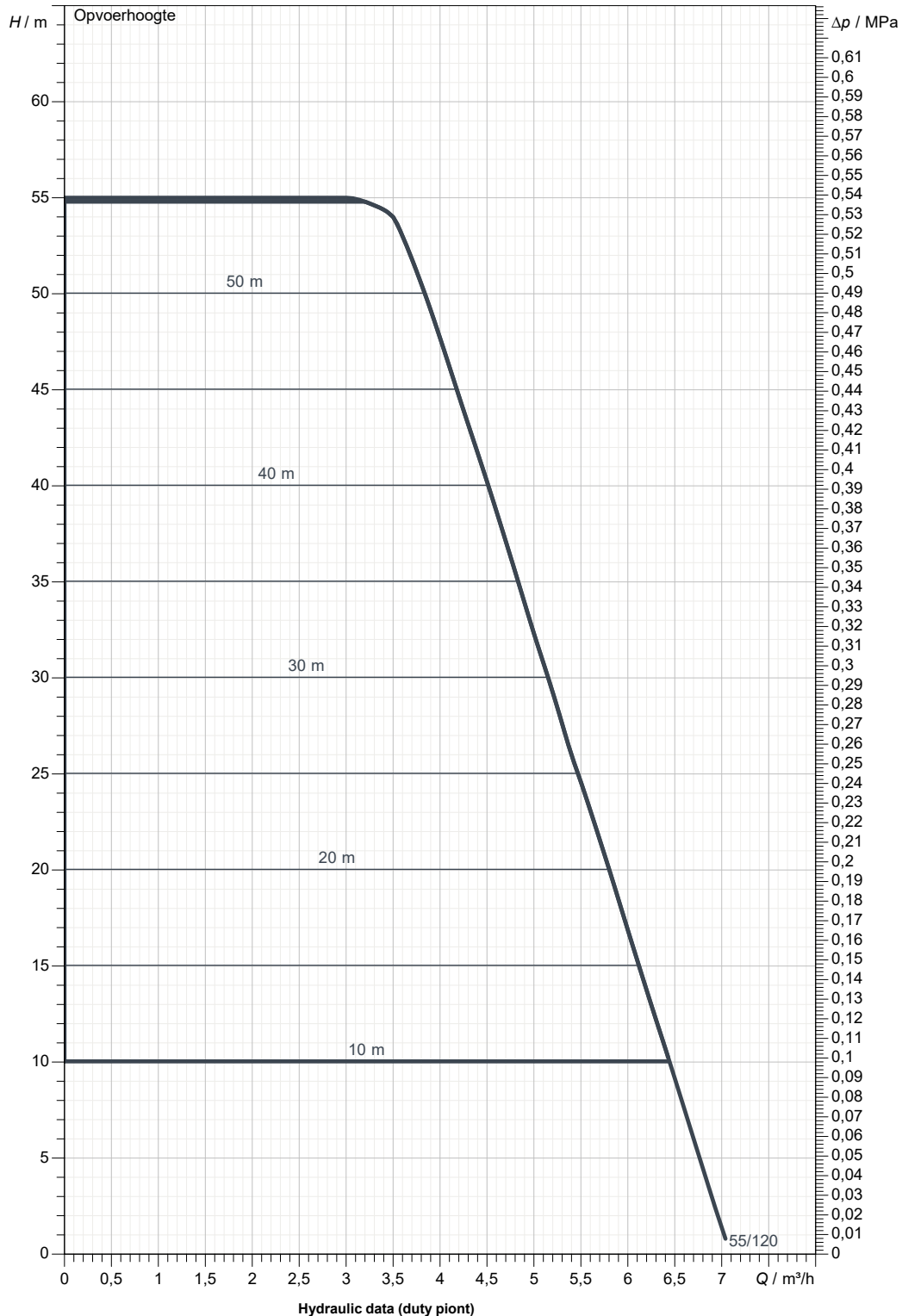
Receiver

From

Company  
Reference  
Address  
Phone  
Fax  
E-mail

## ESYBOX DIVER X 55/120 + KIT

Curve tolerance according to ISO 9906



Hydraulic data (duty point)

Suction side  
1" G-F  
--

Discharge side  
1" 1/4 G-F  
--

Flow :

Head :

Rated speed:  
5.000 1/min

MAIN\_PROJECT\_TITLE

BUSINESS\_PROCESS\_ID

OWNER\_

ISSUE\_DATE

2023-08-24



# DIMENSIONAL DRAWING

2023-08-24

Pagina 3 / 3

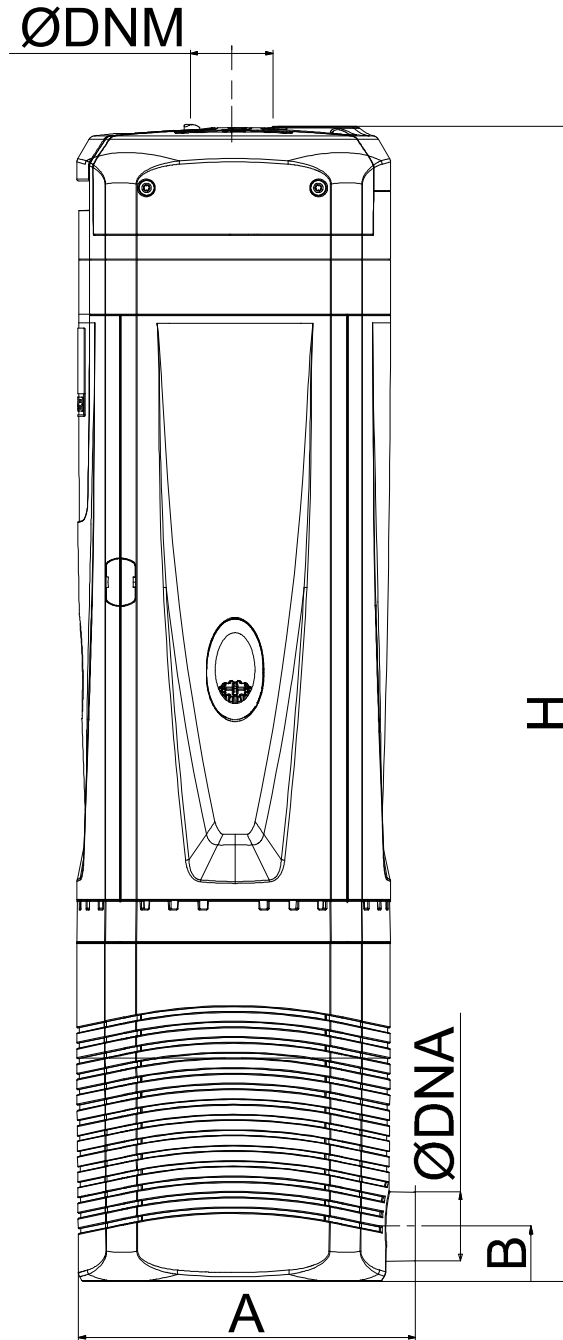
DAB PUMPS S.p.A.  
Via Marco Polo, 14 - 35035 Mestrino (PD), Italy  
Tel. +39 049 5125000 - Fax +39 049 5125950  
www.dabpumps.com

Receiver

From

Company  
Reference  
Address  
Phone  
Fax  
E-mail

## ESYBOX DIVER X 55/120 + KIT



### Dimensions in mm

### Pump connection

1	A	195					
2	B	32					Suction
3	DNA	1" G					1" G-F
4	DNM	1" 1/4 G					--
5	H	676					Discharge
6							1" 1/4 G-F
7							--
8							
9							
10							
11							

MAIN\_PROJECT\_TITLE

BUSINESS\_PROCESS\_ID

OWNER

ISSUE\_DATE

2023-08-24