

**Receiver**

**From**

Company  
Reference  
Address  
Phone  
Fax  
E-mail

**Item no.** 60185492  
**Customer pos. no.:**  
**Model:** EVOSTA2 40-70/180

**Pump data**  
Pressure rating : 1 MPa  
Min. fluid temperature : -10 °C  
Max. fluid temperature : 110 °C  
EEI : ≤ 0,18

**Minimum suction head :**  
Temperatuur: °C 90  
Minimum suction head : m 10

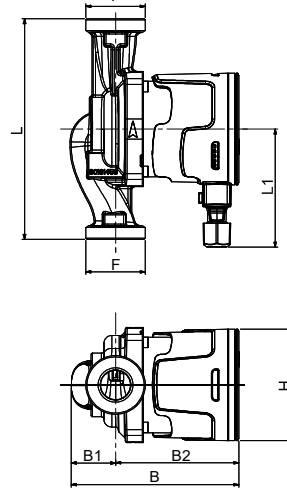
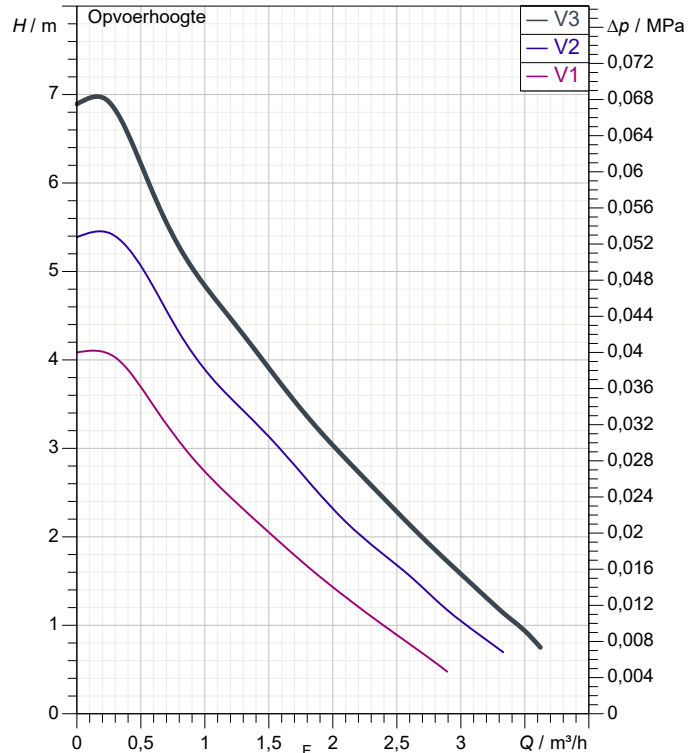
**Requested data**  
Flow :  
Head :  
Fluid (%) :  
Fluid Temperature : 20 °C  
Density: 998,3 kg/m³  
Kinematische viscositeit: 1,005 mm²/s  
Dampspanning: 0,00 MPa

**Hydraulic data (duty piont)**  
Flow :  
Head :

**Materials**  
Stator jacket : AISI 316  
Impeller : Ultrason  
Shaft : Alumina  
Bearing housing : Brass  
Bushing : Alumina  
Rotor : Fe  
Axial bearing : Graphite

**Motor data**  
Merk : DAB  
Power input P1 : 0,035 kW  
Rated voltage : 1~ 230 V 50 Hz  
Nominal current : 0,32 A  
Degree of protection : IP X5

**Curve tolerance according to ISO 9906**



Dimension		mm	
B	134,6	L1	96
B1	35,5		
B2	99,1		
F	1"1/2		
H	91		
L	180		
<b>Gewicht:</b>		2,19 kg	
<b>Pump connection</b>			
Suction side	1 " 1/2 G		
Discharge side	1 " 1/2 G		



# PERFORMANCE CURVES

2023-08-24

Pagina 2 / 3

DAB PUMPS S.p.A.  
Via Marco Polo, 14 - 35035 Mestrino (PD), Italy  
Tel. +39 049 5125000 - Fax +39 049 5125950  
www.dabpumps.com

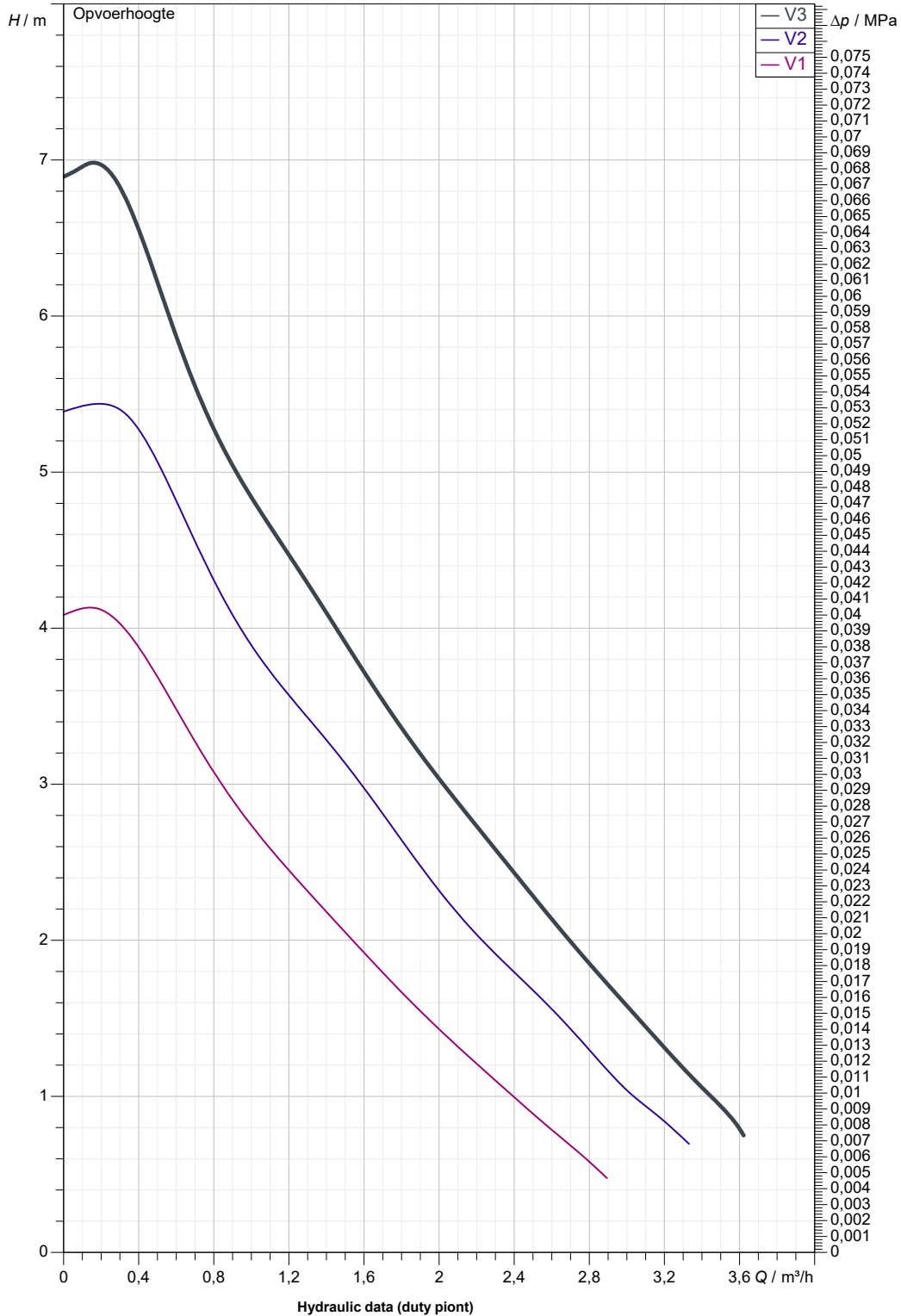
Receiver

From

Company  
Reference  
Address  
Phone  
Fax  
E-mail

## EVOSTA2 40-70/180

Curve tolerance according to ISO 9906



Suction side  
1" 1/2 G  
1 MPa

Discharge side  
1" 1/2 G  
1 MPa

Flow :

Head :

Rated speed:  
2.900 1/min

MAIN\_PROJECT\_TITLE

BUSINESS\_PROCESS\_ID

OWNER\_

ISSUE\_DATE

2023-08-24



# DIMENSIONAL DRAWING

2023-08-24

Pagina 3 / 3

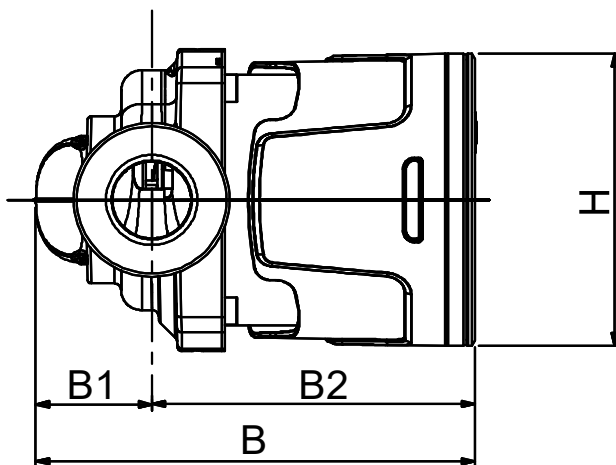
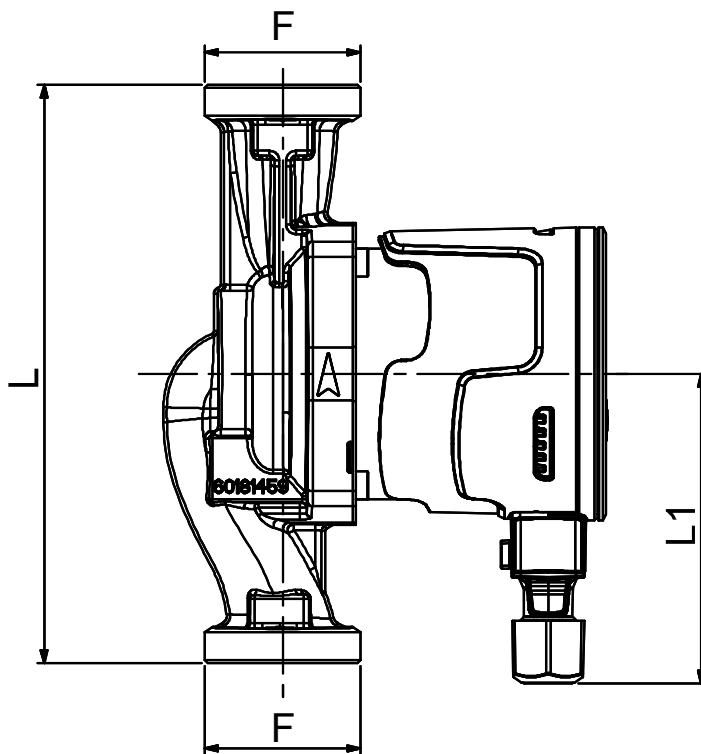
DAB PUMPS S.p.A.  
Via Marco Polo, 14 - 35035 Mestrino (PD), Italy  
Tel. +39 049 5125000 - Fax +39 049 5125950  
www.dabpumps.com

Receiver

From

Company  
Reference  
Address  
Phone  
Fax  
E-mail

## EVOSTA2 40-70/180



### Dimensions in mm

### Pump connection

1  
2  
3  
4  
5  
6  
7  
8  
9  
10  
11

B	134,6
B1	35,5
B2	99,1
F	1"1/2
H	91
L	180
L1	96

Suction  
1" 1/2 G  
1 MPa  
  
Discharge  
1" 1/2 G  
1 MPa

MAIN\_PROJECT\_TITLE

BUSINESS\_PROCESS\_ID

OWNER

ISSUE\_DATE

2023-08-24