

# Unilift KP 150, KP 250, KP 350

Installation and operating instructions



Other languages

<http://net.grundfos.com/qr/i/96894217>

be  
think  
innovate

**GRUNDFOS** 

# English (GB) Installation and operating instructions

## Original installation and operating instructions

These installation and operating instructions describe Grundfos Unilift KP 150, KP 250 and KP 350.

Sections 1-4 give the information necessary to be able to unpack, install and start up the product in a safe way.

Sections 5-9 give important information about the product, as well as information on service, fault finding and disposal of the product.

## CONTENTS

	Page
<b>1. General information</b>	<b>2</b>
1.1 Hazard statements	2
1.2 Notes	3
<b>2. Receiving the product</b>	<b>3</b>
2.1 Inspecting the product	3
<b>3. Installing the product</b>	<b>3</b>
3.1 Location	3
3.2 Mechanical installation	4
3.3 Electrical connection	6
<b>4. Starting up the product</b>	<b>7</b>
4.1 Unilift KP-A	7
4.2 Unilift KP-AV	7
4.3 Unilift KP-M	7
<b>5. Product introduction</b>	<b>8</b>
5.1 Intended use	8
5.2 Pumped liquids	8
5.3 Identification	9
<b>6. Servicing the product</b>	<b>10</b>
6.1 Maintaining the product	10
6.2 Cleaning the pump	10
6.3 Service kits	12
6.4 Contaminated pumps	12
<b>7. Fault finding the product</b>	<b>13</b>
<b>8. Technical data</b>	<b>15</b>
8.1 Storage temperature	15
8.2 Operating conditions	15
8.3 Sound pressure level	15
<b>9. Disposing of the product</b>	<b>15</b>



Read this document before installing the product. Installation and operation must comply with local regulations and accepted codes of good practice.



This appliance can be used by children aged from 8 years and above and persons with reduced physical, sensory or mental capabilities or lack of experience and knowledge if they have been given supervision or instruction concerning use of the appliance in a safe way and understand the hazards involved.

Children shall not play with the appliance. Cleaning and user maintenance shall not be made by children without supervision.

## 1. General information

### 1.1 Hazard statements

The symbols and hazard statements below may appear in Grundfos installation and operating instructions, safety instructions and service instructions.

#### DANGER



Indicates a hazardous situation which, if not avoided, will result in death or serious personal injury.

#### WARNING



Indicates a hazardous situation which, if not avoided, could result in death or serious personal injury.

#### CAUTION



Indicates a hazardous situation which, if not avoided, could result in minor or moderate personal injury.

The hazard statements are structured in the following way:

#### SIGNAL WORD



##### Description of hazard

Consequence of ignoring the warning.  
- Action to avoid the hazard.

## 1.2 Notes

The symbols and notes below may appear in Grundfos installation and operating instructions, safety instructions and service instructions.



Observe these instructions for explosion-proof products.



A blue or grey circle with a white graphical symbol indicates that an action must be taken.



A red or grey circle with a diagonal bar, possibly with a black graphical symbol, indicates that an action must not be taken or must be stopped.



If these instructions are not observed, it may result in malfunction or damage to the equipment.



Tips and advice that make the work easier.

## 2. Receiving the product

### WARNING

#### Falling objects

- Death or serious personal injury
- Keep the product in a stable position during unpacking.
- Wear personal protective equipment.

### 2.1 Inspecting the product

Check that the product received is in accordance with the order.

Check that the voltage and frequency of the product match voltage and frequency of the installation site.

## 3. Installing the product

### CAUTION

#### Toxic material



- Minor or moderate personal injury
- The product will be classified as contaminated if used for a liquid which is injurious to health or toxic.
- Wear personal protective equipment.



Installation must be carried out by specially trained persons and according to local regulations.



According to EN 60335-2-41/A2:2010, this product with 5 m of mains cable may be used only for indoor applications.

### 3.1 Location



Always have at least 3 m free cable above liquid level. This limits the installation depth to 7 m for pumps with 10 m cable and to 2 m for pumps with 5 m cable.

#### 3.1.1 Minimum space for Unilift KP-A

The pit, basin or tank must be sized according to the relation between the water flow to the pit, basin or tank and the pump performance.

When the pump is installed in a permanent installation with a float switch, the minimum dimensions of the pit, basin or tank must be as shown in fig. 1 to ensure free movability of the float switch. The float switch is set to the minimum free cable length. See section 3.2.5 *Start and stop levels*.

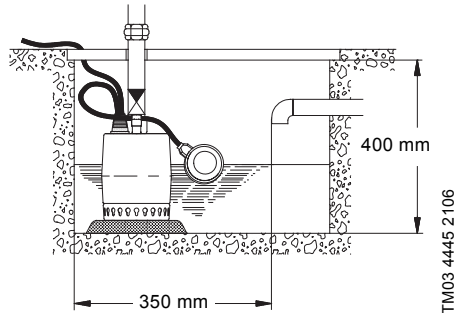


Fig. 1 Minimum installation dimensions, Unilift KP-A

TM03 4445 2.106

### 3.1.2 Minimum space for Unilift KP-AV

For pumps with a vertical level switch, the minimum installation dimensions of the pit, basin or tank must be as shown in fig. 2.

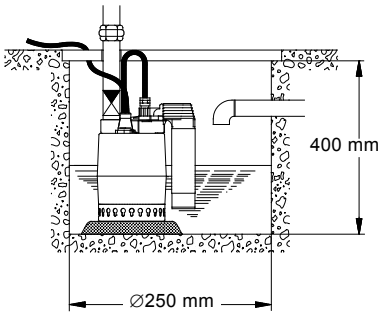


Fig. 2 Minimum installation dimensions, Unilift KP-AV

TM01 1109 1098

### 3.1.3 Minimum space for Unilift KP-M

The pump requires no more space than the physical dimensions of the pump. See the Appendix.

## 3.2 Mechanical installation

### DANGER

#### Electric shock



- Death or serious personal injury
- Switch off the power supply before starting any work on the product.
- Make sure that the power supply cannot be accidentally switched on.

### CAUTION

#### Sharp element



- Minor or moderate personal injury
- Wear personal protective equipment.
- Make sure that persons cannot come into contact with the pump impeller.



Do not install the pump hanging from the electric cable or the outlet pipe.

### 3.2.1 Foundation

Place the pump on a plate or on bricks so that the inlet strainer is free of sludge, mud or similar materials. See fig. 3.

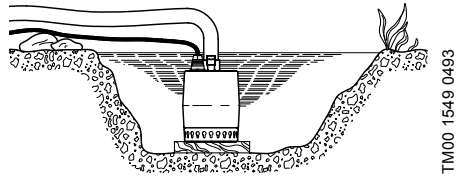


Fig. 3 Pump placed on a plate

TM00 1549 0493

### 3.2.2 Lifting the pump



Do not pull or lift the product by the power cable.

Lift the pump using the pump handle. Do not lift the pump by the power cable or by the outlet pipe or hose.

If the pump is installed in a well or tank, lower and lift it by means of a wire or chain fastened to the pump handle.

### 3.2.3 Positioning the pump

Unilift KP-A and Unilift KP-M can be used in vertical position with the outlet pointing upwards. The pumps may also be used in horizontal or tilted position with the outlet as the highest point. See fig. 4.

During operation, the inlet strainer must always be completely covered by the pumped liquid.

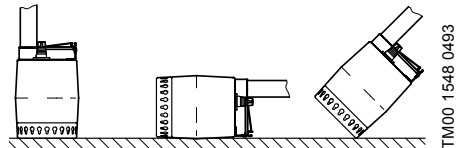


Fig. 4 How to position Unilift KP-A and Unilift KP-M

TM00 1548 0493



Always place Unilift KP-AV in vertical position.

When the pipe or hose has been connected, place the pump in its operating position.

Position the pump so that the pump inlet will not be blocked or partly blocked by sludge, mud or similar materials.

In the case of permanent installation, the pit must be cleared of sludge, pebbles, etc. before the pump is installed.

### 3.2.4 Pipe connection

Fit the outlet pipe or hose in the Rp 1 1/4 outlet. Steel pipes can be screwed directly into the pump outlet.

In a permanent installation, fit a union to the outlet pipe to facilitate mounting and removal. If a hose is used, fit a hose union.

In a permanent installation with a level switch, fit a non-return valve to the outlet pipe or hose.

### 3.2.5 Start and stop levels

#### Unilift KP-A

For pumps supplied with a float switch, the difference in level between start and stop can be adjusted by changing the free cable length between the float switch and the pump handle.

- An increased free cable length will result in fewer starts and stops and a large difference in level.
- A reduced free cable length will result in more frequent starts and stops and a small difference in level.

The stop level must be above the pump inlet to prevent the pump from taking in air.

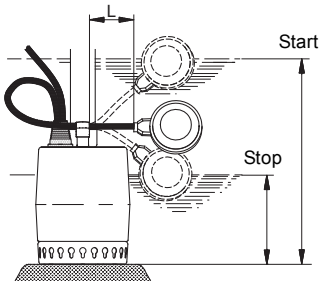


Fig. 5 Start and stop levels, Unilift KP-A

TM03 4446 2106

Unilift KP-A start and stop levels				
Pump type	Minimum cable length (L): 70 mm		Maximum cable length (L): 150 mm	
	Start [mm]	Stop [mm]	Start [mm]	Stop [mm]
KP 150 A	290	140	335	100
KP 250 A	290	140	335	100
KP 350 A	300	150	345	110

#### Unilift KP-AV

The level difference for pumps with a vertical level switch cannot be adjusted. Start and stop levels appear from fig. 6.

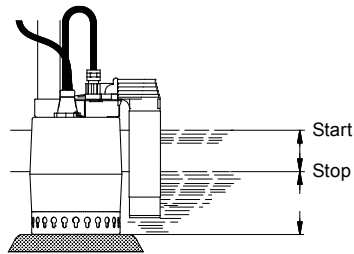


Fig. 6 Start and stop levels, Unilift KP-AV

TM01 1108 3797

Pump type	Vertical level switch	
	Start [mm]	Stop [mm]
Unilift KP 150 AV	180	100
Unilift KP 250 AV	180	100
Unilift KP 350 AV	190	110

### 3.3 Electrical connection

#### DANGER

##### Electric shock

- Death or serious personal injury
- Switch off the power supply before starting any work on the product.
- Make sure that the power supply cannot be accidentally switched on.



#### DANGER

##### Electric shock

- Death or serious personal injury
- The installation must be fitted with a residual-current device (RCD) with a tripping current less than 30 mA.



#### DANGER

##### Electric shock

- Death or serious personal injury
- Make sure that the power supply plug delivered with the product is in compliance with local regulations.
- The plug must have the same protective earth (PE) connection system as the power outlet. If not, use a suitable adapter if allowed by local regulations.



#### DANGER

##### Electric shock

- Death or serious personal injury
- Power cables without a plug must be connected to a supply disconnecting device incorporated in the fixed wiring according to the local wiring rules.



All electrical connections must be carried out by a qualified person in accordance with local regulations.



Depending on local regulations, a pump with minimum 10 m of mains cable must be used if the pump is used as a portable pump for different applications.

Make sure that the product is suitable for the supply voltage and frequency available at the installation site. Voltage and frequency are marked on the pump nameplate.

The pump must be connected to an external main switch. If the pump is not installed close to the switch, the switch must be of a lockable type.

Three-phase pumps must be connected to an external motor-protective circuit breaker. The rated current of the motor-protective circuit breaker must correspond to the electrical data marked on the pump nameplate.

If a level switch is connected to a three-phase pump, the motor-protective circuit breaker must be magnetically operated.

Single-phase and three-phase pumps incorporate thermal overload protection and require no additional motor protection. Except for Unilift KP 350, 3 x 200 V, 50 Hz, which must be connected to a motor-protective circuit breaker.



If the motor is overloaded, it will stop automatically. When the motor has cooled to normal temperature, it restarts automatically.

Three-phase pumps with a float switch, Unilift KP-A, must be connected to the mains supply by means of a contactor. See fig. 7.

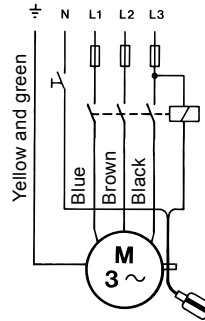


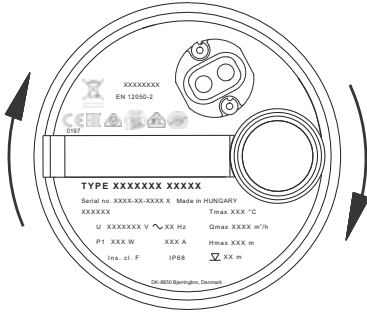
Fig. 7 Wiring diagram

### 3.3.1 Checking the direction of rotation

#### Three-phase pumps only

Check the direction of rotation every time the pump is connected to a new installation.

1. Place the pump on a plane surface.
2. Start and stop the pump.
3. Observe the pump when started. If the pump gives a slight clockwise jerk, see fig. 8, the direction of rotation of the motor is correct. If the jerk is counter-clockwise, interchange two phases in the mains connection.



**Fig. 8** Direction of rotation

If the pump is connected to a pipe system, check the direction of rotation in this way:

1. Start the pump and check the quantity of water.
2. Stop the pump and interchange two phases in the mains connection.
3. Start the pump and check the quantity of water.
4. Stop the pump.
5. Compare the results taken under points 1 and 3. The largest quantity of water indicates the correct direction of rotation.

## 4. Starting up the product

### DANGER

#### Electric shock



Death or serious personal injury

- Do not use the pump in swimming pools, garden ponds or similar places if there are people in the water.



The pump may be run briefly to check the direction of rotation without being submerged in the pumped liquid.

1. Before starting the pump, check that the inlet strainer is fitted to the pump and submerged in the pumped liquid.
2. Open the isolating valve, if fitted, and check the level switch setting.

### 4.1 Unilift KP-A

The pump will start and stop automatically, depending on the liquid level and the cable length of the float switch.

#### Forced operation

If the pump is used for draining liquid below the stop level of the float switch, the float switch can be held in a higher position by fastening it to the outlet pipe. During forced operation, check the liquid level regularly to avoid dry running.

### 4.2 Unilift KP-AV

The pump starts and stops automatically depending on the liquid level.

### 4.3 Unilift KP-M

The pump is started and stopped via an external switch.

To avoid dry running, check the liquid level regularly during operation, for instance via external level monitoring.

To enable the pump to self-prime during startup, the liquid level must be at least 30 mm.

The pump can pump down to a liquid level of 15 mm.

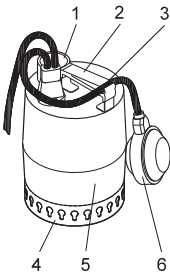
TM03 4482 2219

## 5. Product introduction

Grundfos Unilift KP pumps are available in these versions:

- Unilift KP-A Automatic start/stop operation via a float switch.
- Unilift KP-AV Automatic start/stop operation via a vertical level switch.
- Unilift KP-M Manual operation via an external on/off switch, without a level switch.

Unilift KP-A with float switch



Unilift KP-AV with vertical level switch

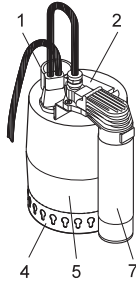


Fig. 9 Pumps with a level switch

TM01 1107 1205

Pos.	Description
1	Outlet, Rp 1 1/4
2	Handle
3	Cable clamp
4	Inlet strainer
5	Pump sleeve
6	Float switch
7	Vertical level switch

### 5.1 Intended use

The Grundfos Unilift KP pump is a single-stage submersible pump designed for pumping grey wastewater, that is, wastewater from showers, sinks, washing machines, etc.

The pump is capable of pumping water which contains a limited quantity of solids, however not stones and similar materials, without being blocked or damaged.

The pump is available for automatic as well as manual operation and can be installed in a permanent installation or used as a portable pump.

Applications	KP 150	KP 250	KP 350
Drainage of flooded cellars or buildings	•	•	•
Groundwater lowering	•	•	•
Pumping of water from drain water collecting tanks and pits	•	•	•
Pumping of water from surface water tanks and pits with inflow from roof gutters, shafts, tunnels, etc.	•	•	•
Emptying and filling of swimming pools, ponds, tanks, etc.	•	•	•
Pumping of wastewater from washing machines, baths, sinks, etc. from cellars up to sewer level	•	•	•

Incorrect application of the pump, for example resulting in blocking of the pump, and wear are not covered by the warranty.

### 5.2 Pumped liquids

The pump is capable of pumping wastewater containing a limited quantity of spherical particles. Pumping of spherical particles exceeding the maximum particle size for the pump may block or damage the pump.

Maximum particle size: See section 8. [Technical data](#).

The pump is not suitable for these liquids:

- sewage
- liquids containing long fibres
- flammable liquids (oil, petrol, etc.)
- aggressive liquids
- liquids containing solids exceeding the pump's recommended maximum particle size.

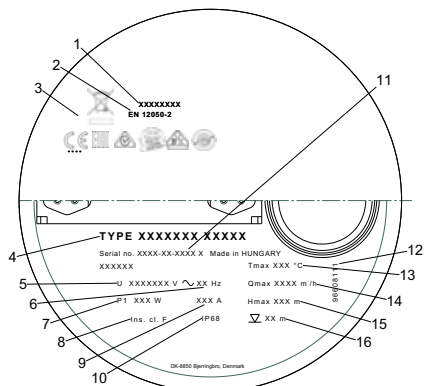


The pump contains approx. 70 ml of non-toxic motor liquid which will be mixed with the pumped liquid in case of a leak.



### 5.3 Identification

#### 5.3.1 Nameplate



TM074470 1719

Fig. 10 Nameplate example

#### 5.3.2 Type key

<b>Example</b>	<b>Unilift KP 150 A 1</b>
Type range	
Rated motor output P <sub>2</sub> [W]	150 250 350
Level control	
A = Automatic operation with float switch	
AV = Automatic operation with vertical level switch	
M = Manual operation without level switch	
Motor	
1 = single-phase	
3 = three-phase	

Pos.	Description
1	ID number for Safety Instruction
2	ID number for EN standards
3	Approvals
4	Product type
5	Supply voltage [V]
6	Frequency [Hz]
7	Power input [W]
8	Insulation class
9	Maximum current [A]
10	Insulation class
11	Serial number, factory and production code (YYWW)
12	Nameplate layout
13	Maximum liquid temperature [°C]
14	Maximum flow rate [m <sup>3</sup> /h]
15	Maximum head [m]
16	Maximum installation depth [m]

## 6. Servicing the product

### DANGER

#### Electric shock

- Death or serious personal injury
- Switch off the power supply before starting any work on the product.
- Make sure that the power supply cannot be accidentally switched on.



### CAUTION

#### Sharp element

- Minor or moderate personal injury
- Wear personal protective equipment.



### CAUTION

#### Toxic material

- Minor or moderate personal injury
- The product will be classified as contaminated if it has been used for a liquid which is injurious to health or toxic.
- Wear personal protective equipment.



### CAUTION

#### Biological hazard

- Minor or moderate personal injury
- Flush the product thoroughly with clean water and rinse the parts in water after dismantling.
- Wear personal protective equipment.



If the power cable or the level switch is damaged, it must be replaced by a service workshop authorised by Grundfos.



Service must be carried out by specially trained persons.

Furthermore, all rules and regulations covering safety, health and environment must be observed.

1. If the pump has been used for liquids other than clean water, flush the pump thoroughly with clean water before carrying out maintenance and service.
2. Rinse the pump parts in water after dismantling.

## 6.1 Maintaining the product

Under normal operating conditions, the pump is maintenance-free.

If the pump has been used for liquids other than clean water, flush it through with clean water immediately after use.

If the pump delivers too little water due to deposits or the like, dismantle and clean the pump.



The pump contains approx. 70 ml of non-toxic motor liquid which will be mixed with the pumped liquid in case of a leak.

## 6.2 Cleaning the pump



The inlet strainer and the pump housing can be dismantled by untrained persons.

Further disassembly of the pump must be carried out by a specially trained person.

If the pump delivers too little water due to deposits or the like, dismantle and clean the pump.

### 6.2.1 Cleaning the inlet strainer

1. Disconnect the power supply.
2. Drain the pump.
3. Carefully loosen the inlet strainer by inserting a screwdriver in the recess between the pump sleeve and the strainer. Use the screwdriver to push apart the outer casing and the strainer. Repeat the procedure, working around the pump, until the strainer is free and can be removed. See fig. 11.

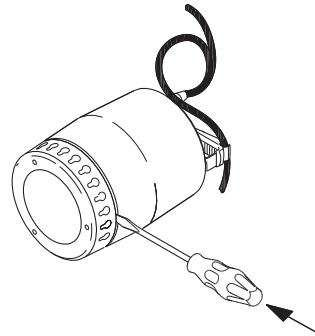


Fig. 11 How to remove the inlet strainer

4. Remove the inlet strainer, clean and refit it.

### 6.2.2 Cleaning the inside of the pump

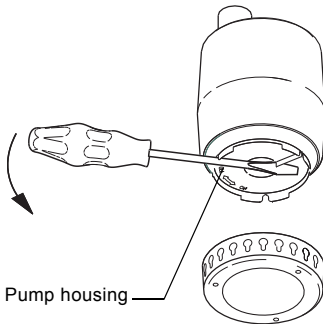


Before and during the mounting of the pump housing, check that the sealing part is fitted correctly. See fig. 15.

Moisten the sealing part with water to ease the fitting.

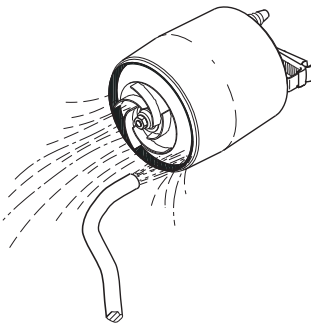
If the pump still delivers too little water, dismantle the pump further.

1. Disconnect the power supply.
2. Remove the inlet strainer. See point 3 above.
3. Turn the pump housing 90 ° counterclockwise using a screwdriver. See the arrow on the pump housing.
4. Pull off the pump housing. See fig. 12.



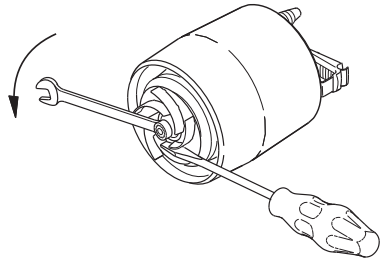
**Fig. 12** How to remove the pump housing

5. Clean and flush the inside of the pump to remove possible impurities between the motor and pump sleeve.
6. Clean the impeller. See fig. 13.



**Fig. 13** How to flush the impeller

7. Check that the impeller can rotate freely. If not, remove the impeller as described below.
8. Unscrew the nut, cross width 13 mm, from the motor shaft. Use a screwdriver to prevent the impeller from rotating. See fig. 14.



**Fig. 14** How to remove the impeller

9. Clean the impeller and the area around the shaft.
10. Check the impeller, the pump housing and the sealing part. If necessary, replace defective parts.



Further disassembly of the pump must be carried out by a specially trained person.

### 6.2.3 Assembling the pump

Assemble the pump in the reverse order of dismantling.

TM03 1168 1205

TM03 1169 1205

TM03 1170 1205

### 6.3 Service kits

The impeller, the inlet strainer and the non-return valve are replaceable.

Order numbers for the ordering of service kits and contents of service kits appear from the tables below and fig. 15.

Pump type	Part number
<b>Impeller kit</b>	
Unilift KP 150	015778
Unilift KP 250	015779
Unilift KP 350	015787
<b>Inlet strainer</b>	
Unilift KP 150	96548064
Unilift KP 250	96548066
Unilift KP 350	96548066
<b>Non-return valve</b>	
Unilift KP 150	15220
Unilift KP 250	
Unilift KP 350	

Service kits	Pos.	Designation	Quantity
Impeller kit	A	Impeller	1
	B	Nut	1
	C	Sealing part	1
Inlet strainer	D	Inlet strainer	1

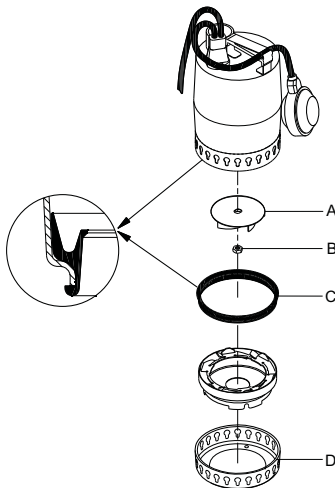


Fig. 15 Service parts

If other pump components are damaged or defective, contact the pump supplier.

### 6.4 Contaminated pumps



If the power cable or the level switch is damaged, it must be replaced by a service workshop authorised by Grundfos.

#### CAUTION



#### Biological hazard

Minor or moderate personal injury

- Flush the product thoroughly with clean water and rinse the parts in water after dismantling.
- Wear personal protective equipment.

The product will be classified as contaminated if it has been used for a liquid which is injurious to health or toxic.

If you request Grundfos to service the product, contact Grundfos with details about the pumped liquid before returning the product for service. Otherwise, Grundfos can refuse to accept the product for service.

Any application for service must include details about the pumped liquid.

Clean the product in the best possible way before you return it.

Costs of returning the product are to be paid by the customer.

TM03 1166 1205

## 7. Fault finding the product

### DANGER

#### Electric shock

- Death or serious personal injury
- Before starting any work on the product, make sure that the power supply has been switched off and that it cannot be accidentally switched on.



### CAUTION

#### Toxic material

- Minor or moderate personal injury
- The product will be classified as contaminated if it has been used for a liquid which is injurious to health or toxic.
  - Wear personal protective equipment.



### CAUTION

#### Sharp element

- Minor or moderate personal injury
- Wear personal protective equipment.



Fault	Cause	Remedy
1. The motor does not start.	a) No power supply.	Connect the power supply.
	b) The pump was stopped by the level switch.	Unilift KP-A: Adjust or replace the level switch.
	c) The fuses have blown.	Replace the fuses.
	d) The motor protection or thermal relay has tripped.	Wait until the motor protection trips in again or reset the relay.
	e) The impeller is blocked by impurities.	Clean the impeller.
	f) Short circuit in the cable or motor.	Replace the defective part.
2. The motor protection or thermal relay trips after a short time of operation.	a) The liquid temperature is too high.	The pump starts automatically after sufficient cooling. If not, use another pump type. Contact your local Grundfos supplier or sales support.
	b) The impeller is blocked or partly blocked by impurities.	Clean the pump.
	c) Phase failure.	Call an electrician.
	d) Too low voltage.	Call an electrician.
	e) The overload setting of the motor-protective circuit breaker is too low.	Adjust the setting.
	3. The pump runs constantly or gives too little water.	a) The pump is partly blocked by impurities.
b) The outlet pipe or valve is partly blocked by impurities.		Clean the outlet pipe or valve.
c) The impeller is not properly fixed to the shaft.		Tighten the impeller.
d) Incorrect direction of rotation. See section <a href="#">3.3.1 Checking the direction of rotation</a> .		Reverse the direction of rotation.
e) Incorrect setting of the level switch.		Adjust the level switch.
f) The pump is too small for the application.		Replace the pump.
g) The impeller is worn.		Replace the impeller.

<b>Fault</b>	<b>Cause</b>	<b>Remedy</b>
4. The pump runs but gives no water.	a) The pump is blocked by impurities.	Clean the pump.
	b) The outlet pipe or valve is blocked by impurities.	Clean the outlet pipe or valve.
	c) The impeller is not properly fixed to the shaft.	Tighten the impeller.
	d) There is air in the pump.	Vent the pump and the outlet pipe.
	e) The liquid level is too low. The pump inlet is not completely submerged in the pumped liquid.	Submerge the pump in the liquid or adjust the level switch.
	f) Pumps with float switch: The float switch does not move freely.	Adjust the float switch. See section <a href="#">3.2.5 Start and stop levels</a> .

## 8. Technical data

### 8.1 Storage temperature

-20 - +70 °C.

### 8.2 Operating conditions

Installation depth	Maximum 10 m below liquid level
pH value	4-10
Density	Maximum 1100 kg/m <sup>3</sup>
Viscosity	Maximum 1 mm <sup>2</sup> /s
Maximum particle size	Max. spherical diameter: 10 mm
Technical data	See the pump nameplate.



Make sure that there are minimum 3 m free cable above the liquid level. This limits the maximum installation depth to 7 m for pumps with 10 m cable and to 2 m for pumps with 5 m cable.

#### 8.2.1 Liquid temperature

Minimum 0 °C.

The maximum liquid temperature depends on the rated voltage of the pump. See the table below.

Voltage	Maximum liquid temperature [°C]
1 x 100 V, 50 Hz	35
1 x 110 V, 50 Hz	40
1 x 100-110 V, 50 Hz <sup>1)</sup>	40
1 x 220-230 V, 50 Hz	50
1 x 220-240 V, 50 Hz, 50 Hz <sup>1)</sup>	50
1 x 230-240 V, 50 Hz	50
1 x 100 V, 60 Hz	35
1 x 115 V, 60 Hz	50 <sup>2)</sup>
1 x 220 V, 60 Hz	40
3 x 200 V, 50 Hz	35
3 x 380-400 V, 50 Hz <sup>1)</sup>	50
3 x 380-415 V, 50 Hz	50
3 x 200 V, 60 Hz	35

At intervals of at least 30 minutes, the pumps may, however, run at maximum 70 °C for periods not exceeding 2 minutes.

1) Voltage variant for Unilift KP 350.

2) KP 350: 45.

### 8.3 Sound pressure level

The sound pressure level of the pump is lower than the limiting values stated in the EC Council Directive 2006/42/EC relating to machinery.

## 9. Disposing of the product

This product or parts of it must be disposed of in an environmentally sound way:

1. Use the public or private waste collection service.
2. If this is not possible, contact the nearest Grundfos company or service workshop.



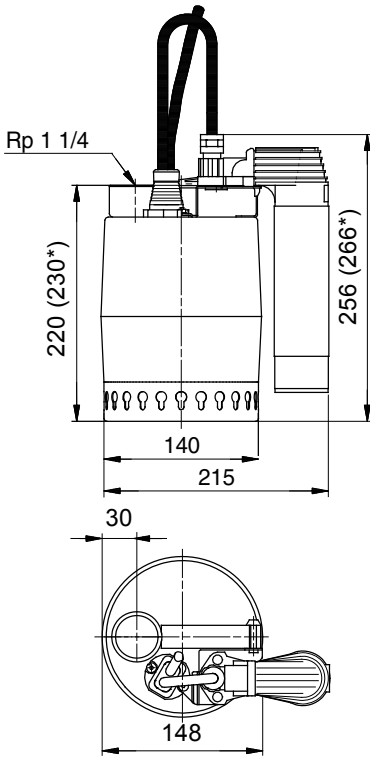
The crossed-out wheellie bin symbol on a product means that it must be disposed of separately from household waste. When a product marked with this symbol reaches its end of life, take it to a collection point designated by the local waste disposal authorities. The separate collection and recycling of such products will help protect the environment and human health.

See also end-of-life information at [www.grundfos.com/product-recycling](http://www.grundfos.com/product-recycling).

Appendix

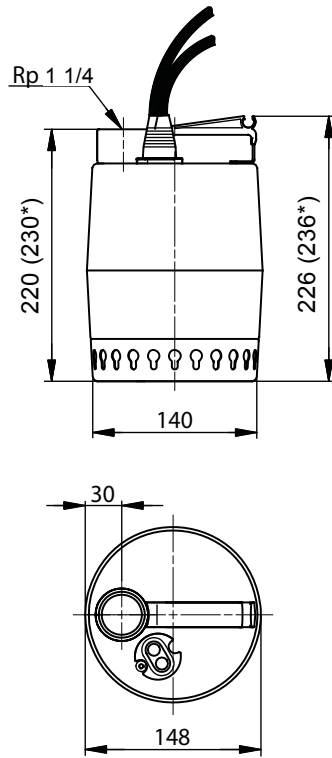
Dimensions

Unilift KP-AV



\* Unilift KP 350

Unilift KP-M



TM01 1523 4502

TM00 1642 1093





**Argentina**

Bombas GRUNDFOS de Argentina S.A.  
Ruta Panamericana km. 37.500 Centro  
Industrial Garin  
1619 Garin Pcia. de B.A.  
Phone: +54-3327 414 444  
Telefax: +54-3327 45 3190

**Australia**

GRUNDFOS Pumps Pty. Ltd.  
P.O. Box 2040  
Regency Park  
South Australia 5942  
Phone: +61-8-8461-4611  
Telefax: +61-8-8340 0155

**Austria**

GRUNDFOS Pumpen Vertrieb  
Ges.m.b.H.  
Grundfosstraße 2  
A-5082 Grödig/Salzburg  
Tel.: +43-6246-883-0  
Telefax: +43-6246-883-30

**Belgium**

N.V. GRUNDFOS Bellux S.A.  
Boomsesteenweg 81-83  
B-2630 Aartselaar  
Tél.: +32-3-870 7300  
Télécopie: +32-3-870 7301

**Belarus**

Представительство ГРУНДФОС в  
Минске  
220125, Минск  
ул. Шафарнянская, 11, оф. 56, БЦ  
«Порт»  
Тел.: +7 (375 17) 286 39 72/73  
Факс: +7 (375 17) 286 39 71  
E-mail: minsk@grundfos.com

**Bosnia and Herzegovina**

GRUNDFOS Sarajevo  
Zmaja od Bosne 7-7A,  
BH-71000 Sarajevo  
Phone: +387 33 592 480  
Telefax: +387 33 590 465  
www.ba.grundfos.com  
e-mail: grundfos@bih.net.ba

**Brazil**

BOMBAS GRUNDFOS DO BRASIL  
Av. Humberto de Alencar Castelo  
Branco, 630  
CEP 09850 - 300  
São Bernardo do Campo - SP  
Phone: +55-11 4393 5533  
Telefax: +55-11 4343 5015

**Bulgaria**

Grundfos Bulgaria EOOD  
Slatina District  
Iztochna Tangenta street no. 100  
BG - 1592 Sofia  
Tel. +359 2 49 22 200  
Fax. +359 2 49 22 201  
email: bulgaria@grundfos.bg

**Canada**

GRUNDFOS Canada Inc.  
2941 Brighton Road  
Oakville, Ontario  
L6H 6C9  
Phone: +1-905 829 9533  
Telefax: +1-905 829 9512

**China**

GRUNDFOS Pumps (Shanghai) Co. Ltd.  
10F The Hub, No. 33 Suhong Road  
Minhang District  
Shanghai 201106  
PRC  
Phone: +86 21 612 252 22  
Telefax: +86 21 612 253 33

**COLOMBIA**

GRUNDFOS Colombia S.A.S.  
Km 1.5 vía Siberia-Cota Conj. Potrero  
Chico,  
Parque Empresarial Arcos de Cota Bod.  
1A.  
Cota, Cundinamarca  
Phone: +57(1)-2913444  
Telefax: +57(1)-8764586

**Croatia**

GRUNDFOS CROATIA d.o.o.  
Buzinski prilaz 38, Buzin  
HR-10010 Zagreb  
Phone: +385 1 6595 400  
Telefax: +385 1 6595 499  
www.hr.grundfos.com

**GRUNDFOS Sales Czechia and Slovakia s.r.o.**

Čajkovského 21  
779 00 Olomouc  
Phone: +420-585-716 111

**Denmark**

GRUNDFOS DK A/S  
Martin Bachs Vej 3  
DK-8850 Bjerringbro  
Tlf.: +45-87 50 50 50  
Telefax: +45-87 50 51 51  
E-mail: info\_GDK@grundfos.com  
www.grundfos.com/DK

**Estonia**

GRUNDFOS Pumps Eesti OÜ  
Peterburi tee 92G  
11415 Tallinn  
Tel: + 372 606 1690  
Fax: + 372 606 1691

**Finland**

OY GRUNDFOS Pumput AB  
Trukkikuja 1  
FI-01360 Vantaa  
Phone: +358-(0) 207 889 500

**France**

Pompes GRUNDFOS Distribution S.A.  
Parc d'Activités de Chesnes  
57, rue de Malacombe  
F-38290 St. Quentin Fallavier (Lyon)  
Tél.: +33-4 74 82 15 15  
Télécopie: +33-4 74 94 10 51

**Germany**

GRUNDFOS GMBH  
Schlüterstr. 33  
40699 Erkrath  
Tel.: +49-(0) 211 929 69-0  
Telefax: +49-(0) 211 929 69-3799  
e-mail: infoservice@grundfos.de  
Service in Deutschland:  
e-mail: kundendienst@grundfos.de

**Greece**

GRUNDFOS Hellas A.E.B.E.  
20th km. Athinon-Markopoulou Av.  
P.O. Box 71  
GR-19002 Peania  
Phone: +0030-210-66 83 400  
Telefax: +0030-210-66 46 273

**Hong Kong**

GRUNDFOS Pumps (Hong Kong) Ltd.  
Unit 1, Ground floor  
Siu Wai Industrial Centre  
29-33 Wing Hong Street &  
68 King Lam Street, Cheung Sha Wan  
Kowloon  
Phone: +852-27861706 / 27861741  
Telefax: +852-27858664

**Hungary**

GRUNDFOS Hungária Kft.  
Tópark u. 8  
H-2045 Törökbálint,  
Phone: +36-23 511 110  
Telefax: +36-23 511 111

**India**

GRUNDFOS Pumps India Private  
Limited  
118 Old Mahabalipuram Road  
Thoraiakkam  
Chennai 600 096  
Phone: +91-44 2496 6800

**Indonesia**

PT. GRUNDFOS POMPA  
Graha Intirub Lt. 2 & 3  
Jln. Cililitan Besar No.454. Makasar,  
Jakarta Timur  
ID-Jakarta 13650  
Phone: +62 21-469-51900  
Telefax: +62 21-460 6910 / 460 6901

**Ireland**

GRUNDFOS (Ireland) Ltd.  
Unit A, Merrywell Business Park  
Ballymount Road Lower  
Dublin 12  
Phone: +353-1-4089 800  
Telefax: +353-1-4089 830

**Italy**

GRUNDFOS Pompe Italia S.r.l.  
Via Gran Sasso 4  
I-20060 Truccazzano (Milano)  
Tel.: +39-02-95838112  
Telefax: +39-02-95309290 / 95838461

**Japan**

GRUNDFOS Pumps K.K.  
1-2-3, Shin-Miyakoda, Kita-ku,  
Hamamatsu  
431-2103 Japan  
Phone: +81 53 428 4760  
Telefax: +81 53 428 5005

**Korea**

GRUNDFOS Pumps Korea Ltd.  
679 Floor, Aju Building 679-5  
Yeoksam-dong, Kangnam-ku, 135-916  
Seoul, Korea  
Phone: +82-2-5317 600  
Telefax: +82-2-5633 725

**Latvia**

SIA GRUNDFOS Pumps Latvia  
Deglava biznesa centrs  
Augusta Deglava iela 60, LV-1035, Rīga,  
Tālr.: + 371 714 9640, 7 149 641  
Faks: + 371 914 9646

**Lithuania**

GRUNDFOS Pumps UAB  
Smolensko g. 6  
LT-03201 Vilnius  
Tel: + 370 52 395 430  
Fax: + 370 52 395 431

**Malaysia**

GRUNDFOS Pumps Sdn. Bhd.  
7 Jalan Peguam U1/25  
Glenmarie Industrial Park  
40150 Shah Alam  
Selangor  
Phone: +60-3-5569 2922  
Telefax: +60-3-5569 2866

**Mexico**

Bombas GRUNDFOS de México S.A. de  
C.V.  
Boulevard TLC No. 15  
Parque Industrial Stiva Aeropuerto  
Apodaca, N.L. 66600  
Phone: +52-81-8144 4000  
Telefax: +52-81-8144 4010

**Netherlands**

GRUNDFOS Netherlands  
Veluwezoom 35  
1326 AE Almere  
Postbus 22015  
1302 CA ALMERE  
Tel.: +31-88-478 6336  
Telefax: +31-88-478 6332  
E-mail: info\_gnl@grundfos.com

**New Zealand**

GRUNDFOS Pumps NZ Ltd.  
17 Beatrice Tinsley Crescent  
North Harbour Industrial Estate  
Auckland  
Phone: +64-9-415 3240  
Telefax: +64-9-415 3250

**Norway**

GRUNDFOS Pumper A/S  
Strømsveien 344  
Postboks 235, Leirdal  
N-1011 Oslo  
Tlf.: +47-22 90 47 00  
Telefax: +47-22 32 21 50

**Poland**

GRUNDFOS Pompy Sp. z o.o.  
ul. Klonowa 23  
Baranowo k. Poznania  
PL-62-081 Przeźmierowo  
Tel: (+48-61) 650 13 00  
Fax: (+48-61) 650 13 50

**Portugal**

Bombas GRUNDFOS Portugal, S.A.  
Rua Calvet de Magalhães, 241  
Apartado 1079  
P-2770-153 Paço de Arcos  
Tel.: +351-21-440 76 00  
Telefax: +351-21-440 76 90

**Romania**

GRUNDFOS Pompe România SRL  
Bd. Biruintei, nr 103  
Pantelimon county Ilfov  
Phone: +40 21 200 4100  
Telefax: +40 21 200 4101  
E-mail: romania@grundfos.ro

**Russia**

ООО Грундфос Россия  
ул. Школьная, 39-41  
Москва, RU-109544, Russia  
Тел. (+7) 495 564-88-00 (495) 737-30-00  
Факс (+7) 495 564 8811  
E-mail grundfos.moscow@grundfos.com

**Serbia**

Grundfos Srbija d.o.o.  
Omladinskih brigada 90b  
11070 Novi Beograd  
Phone: +381 11 2258 740  
Telefax: +381 11 2281 769  
www.rs.grundfos.com

**Singapore**

GRUNDFOS (Singapore) Pte. Ltd.  
25 Jalan Tukang  
Singapore 619264  
Phone: +65-6681 9688  
Telefax: +65-6681 9689

**Slovakia**

GRUNDFOS s.r.o.  
Prievozská 4D  
821 09 BRATISLAVA  
Phona: +421 2 5020 1426  
sk.grundfos.com

**Slovenia**

GRUNDFOS LJUBLJANA, d.o.o.  
Leskovoška 9e, 1122 Ljubljana  
Phone: +386 (0) 1 568 06 10  
Telefax: +386 (0) 1 568 06 19  
E-mail: tehnika-si@grundfos.com

**South Africa**

Grundfos (PTY) Ltd.  
16 Lascelles Drive, Meadowbrook Estate  
1609 Germiston, Johannesburg  
Tel.: (+27) 10 248 6000  
Fax: (+27) 10 248 6002  
E-mail: lgradidge@grundfos.com

**Spain**

Bombas GRUNDFOS España S.A.  
Camino de la Fuenteclia, s/n  
E-28110 Algete (Madrid)  
Tel.: +34-91-848 8800  
Telefax: +34-91-628 0465

**Sweden**

GRUNDFOS AB  
Box 333 (Lunnagårdsgatan 6)  
431 24 Mölndal  
Tel.: +46 31 332 23 000  
Telefax: +46 31 331 94 60

**Switzerland**

GRUNDFOS Pumpen AG  
Bruggacherstrasse 10  
CH-8117 Fällanden/ZH  
Tel.: +41-44-806 8111  
Telefax: +41-44-806 8115

**Taiwan**

GRUNDFOS Pumps (Taiwan) Ltd.  
7 Floor, 219 Min-Chuan Road  
Taichung, Taiwan, R.O.C.  
Phone: +886-4-2305 0868  
Telefax: +886-4-2305 0878

**Thailand**

GRUNDFOS (Thailand) Ltd.  
92 Chaloeem Phrakiat Rama 9 Road,  
Dokmai, Pravej, Bangkok 10250  
Phone: +66-2-725 8999  
Telefax: +66-2-725 8998

**Turkey**

GRUNDFOS POMPA San. ve Tic. Ltd.  
Sti.  
Gebze Organize Sanayi Bölgesi  
İhsan dede Caddesi,  
2. yol 200. Sokak No. 204  
41490 Gebze/ Kocaeli  
Phone: +90 - 262-679 7979  
Telefax: +90 - 262-679 7905  
E-mail: satis@grundfos.com

**Ukraine**

Бізнес Центр Європа  
Столичне шосе, 103  
м. Київ, 03131, Україна  
Телефон: (+38 044) 237 04 00  
Факс.: (+38 044) 237 04 01  
E-mail: ukraine@grundfos.com

**United Arab Emirates**

GRUNDFOS Gulf Distribution  
P.O. Box 16768  
Jebel Ali Free Zone  
Dubai  
Phone: +971 4 8815 166  
Telefax: +971 4 8815 136

**United Kingdom**

GRUNDFOS Pumps Ltd.  
Grovebury Road  
Leighton Buzzard/Beds. LU7 4TL  
Phone: +44-1525-850000  
Telefax: +44-1525-850011

**U.S.A.**

GRUNDFOS Pumps Corporation  
9300 Loiret Blvd.  
Lenexa, Kansas 66219  
Phone: +1-913-227-3400  
Telefax: +1-913-227-3500

**Uzbekistan**

Grundfos Tashkent, Uzbekistan The  
Representative Office of Grundfos  
Kazakhstan in Uzbekistan  
38a, Oybek street, Tashkent  
Телефон: (+998) 71 150 3290 / 71 150 3291  
Факс: (+998) 71 150 3292

Addresses Revised 15.01.2019

**96894217** 0819

ECM: 1260503

Trademarks displayed in this material, including but not limited to Grundfos, the Grundfos logo and "be think innovate" are registered trademarks owned by The Grundfos Group. All rights reserved. © 2019 Grundfos Holding A/S, all rights reserved.